

ILLUSTRATED PARTS LIST

NT 484 TR 4S NT 484 TRQ 4S

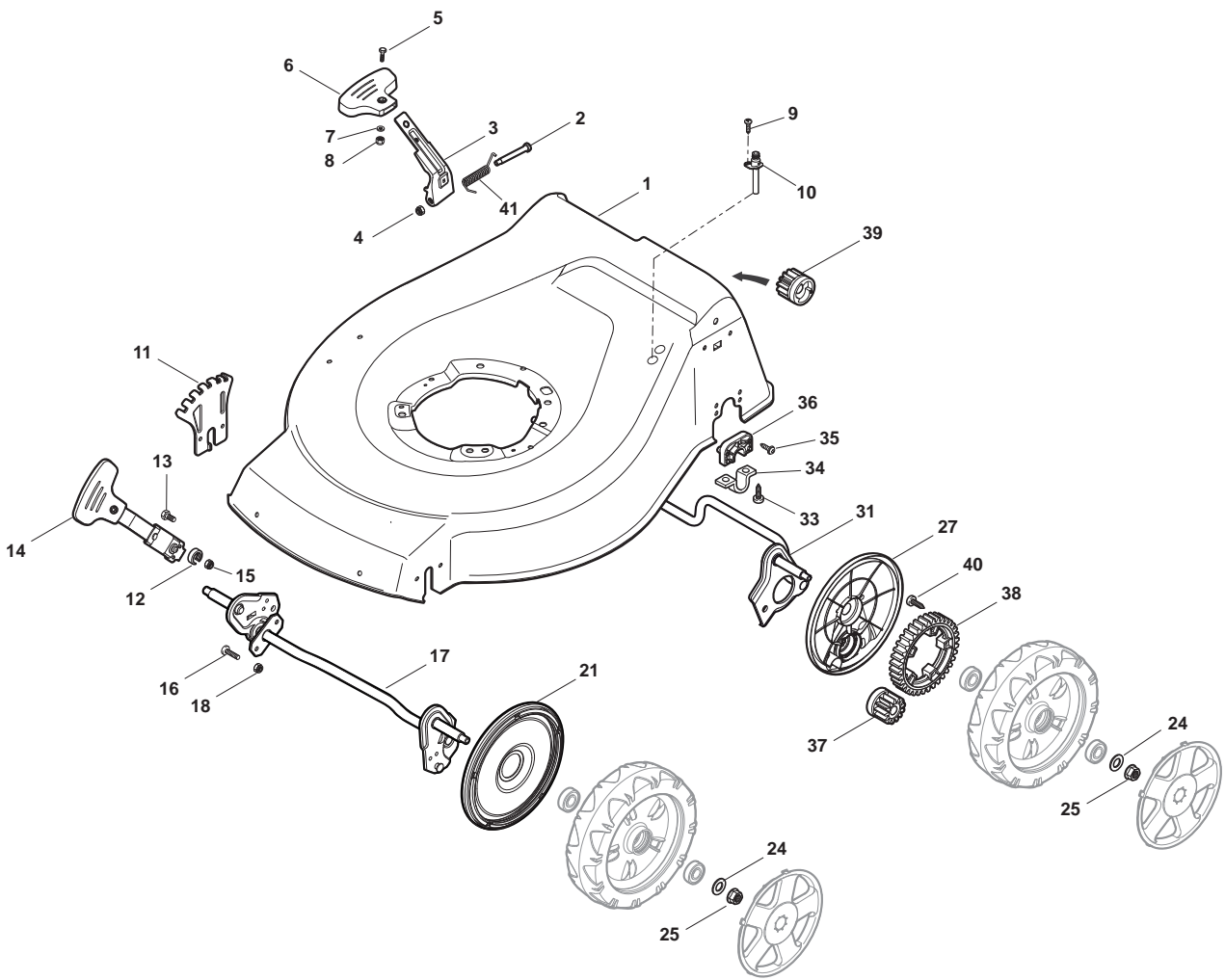


- Use GLOBAL GARDEN PRODUCT Genuine Spare Parts specified in the parts list for repair and/or replacement.
- The contents described in the parts list may change due to improvement.
- The drawings of the spare parts are only indicative and might not represent the part in question exactly.
- The indications "right" - "left" - "front" - "rear" refer to the position of the operator when using the machine.
- When placing orders of parts for repair and/or replacement, make sure that the illustrated parts list is the one applying to the machine's year of manufacture, as shown on the identification plate attached to the machine.

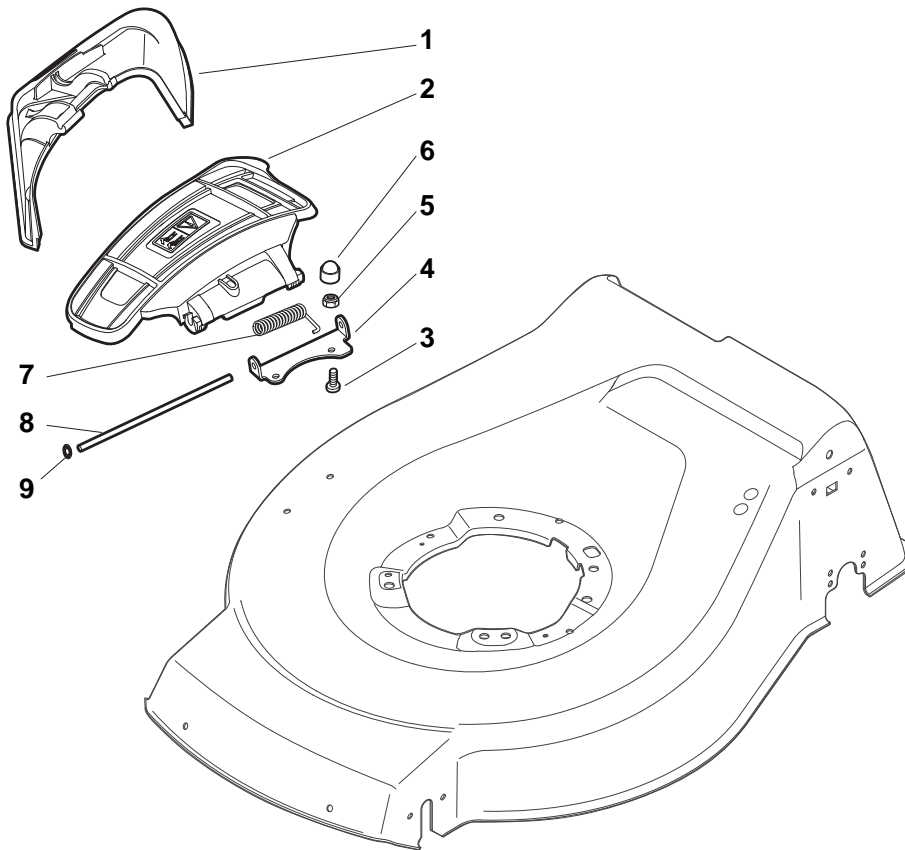
© Copyright 2013 Global Garden Products

All content is subject to copyright by Global Garden Products and may not be reproduced in whole or in part by any means, electronic or otherwise, without prior written approval.

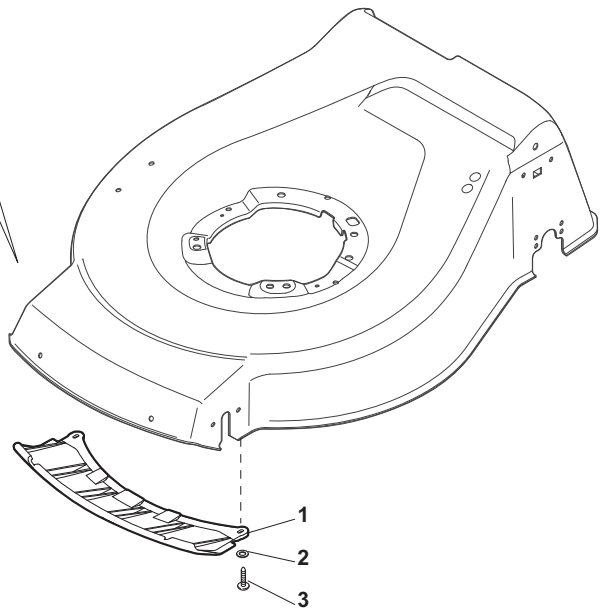
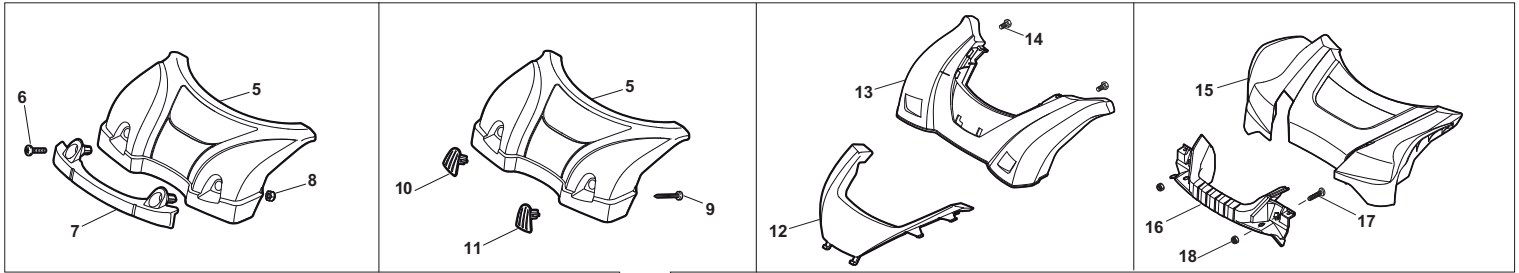
THIS INFORMATION IS NOT INTENDED FOR SALE OR RESALE, AND THIS NOTICE MUST REMAIN ON ALL COPIES.



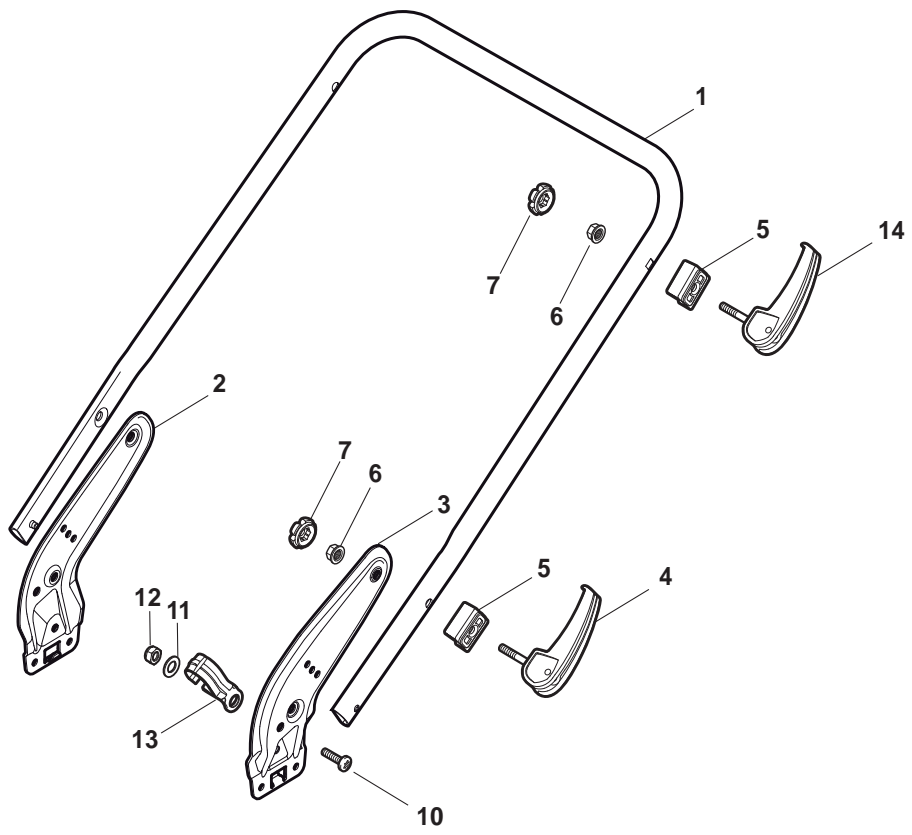
| POS | PART. NO | Q.ty | DESCRIPTION | DESCRIZIONE | DESCRIPTION | BESCHREIBUNG | REMARKS |
|-----|-------------|------|---------------------------|-----------------------------|-------------------------|-------------------------|----------------|
| 1 | 381004536/0 | 1 | Deck Red | Chassis Rosso | Châssis Rouge | Gehäuse Rot | |
| 1 | 381004538/0 | 1 | Deck Red | Chassis Rosso | Châssis Rouge | Gehäuse Rot | Side Discharge |
| 1 | 381004562/0 | 1 | Deck Yellow | Chassis Giallo | Châssis Jaune | Gehäuse Gelb | |
| 2 | 122534131/0 | 1 | Pin | Perno | Pivot | Bolzen | |
| 3 | 322322851/0 | 1 | Lever, Height Adjustment | Leva Regolazione Altezza | Levier Reglage Hauteur | Hebel, Höneverstellung | |
| 4 | 112154510/0 | 1 | Nut | Dado | Ecrou | Mutter | |
| 5 | 112788512/0 | 1 | Screw | Vite | Vis | Schraube | |
| 6 | 322394503/0 | 1 | Knob | Manopolina | Poignée | Griff | |
| 7 | 112521310/0 | 1 | Washer | Rosetta | Rondelle | Scheibe | |
| 8 | 112150000/0 | 1 | Nut | Dado | Ecrou | Mutter | |
| 9 | 112728450/0 | 1 | Screw | Vite | Vis | Schraube | |
| 10 | 322034002/0 | 1 | Washing Connection | Attacco Acqua Lavaggio | Attaque Lavage | Waschenverbindung | |
| 11 | 322735587/0 | 1 | Sector, Height Adjustment | Settore Regolazione Altezza | Secteur Reglage Hauteur | Sektor, Höneverstellung | |
| 12 | 122171002/0 | 2 | Spacer | Distanziale | Entretoise | Distanzring | |
| 13 | 112789000/0 | 2 | Screw | Vite | Vis | Schraube | |
| 14 | 381003351/0 | 1 | Lever, Height Adjustment | Leva Regolazione Altezza | Levier Reglage Hauteur | Hebel, Höneverstellung | |
| 15 | 112154330/0 | 2 | Nut | Dado | Ecrou | Mutter | |
| 16 | 112727803/0 | 4 | Screw | Vite | Vis | Schraube | |
| 17 | 381002881/1 | 1 | Axle, Front Wheels | Asse Ruote Anteriori | Axe Roues Avant | Achse, Vorderrad | |
| 18 | 112154510/0 | 4 | Nut | Dado | Ecrou | Mutter | |
| 21 | 322600145/0 | 2 | Protection, Wheel | Protezione Ruote | Protection Roue | Schütz, Räder | |
| 24 | 112521350/0 | 4 | Washer | Rosetta | Rondelle | Scheibe | |
| 25 | 112155000/0 | 4 | Nut | Dado | Ecrou | Mutter | |
| 27 | 322600207/0 | 2 | Protection, Wheel | Protezione Ruote | Protection Roue | Schütz, Räder | |
| 31 | 381302827/0 | 1 | Axle, Rear Wheels | Asse Ruote Posteriore | Axe Roues Arriere | Achse, Hinterrad | |
| 33 | 112728697/0 | 4 | Screw | Vite | Vis | Schraube | |
| 34 | 322545152/0 | 2 | Plate | Piastrina | Plaquette | Plättchen | |
| 35 | 112728697/0 | 4 | Screw | Vite | Vis | Schraube | |
| 36 | 322785304/1 | 2 | Support | Supporto | Support | Halter | |
| 37 | 122570120/1 | 1 | Pinion L | Pignone Sx | Pignon G | Ritzel Linkes | |
| 38 | 322120114/0 | 2 | Ring Gear | Corona | Couronne | Kranz | |
| 39 | 122570110/1 | 1 | Pinion R | Pignone Dx | Pignon D | Ritzel Rechtes | |
| 40 | 112728706/0 | 6 | Screw | Vite | Vis | Schraube | |
| 41 | 122446192/0 | 1 | Spring | Molla | Ressort | Feder | |



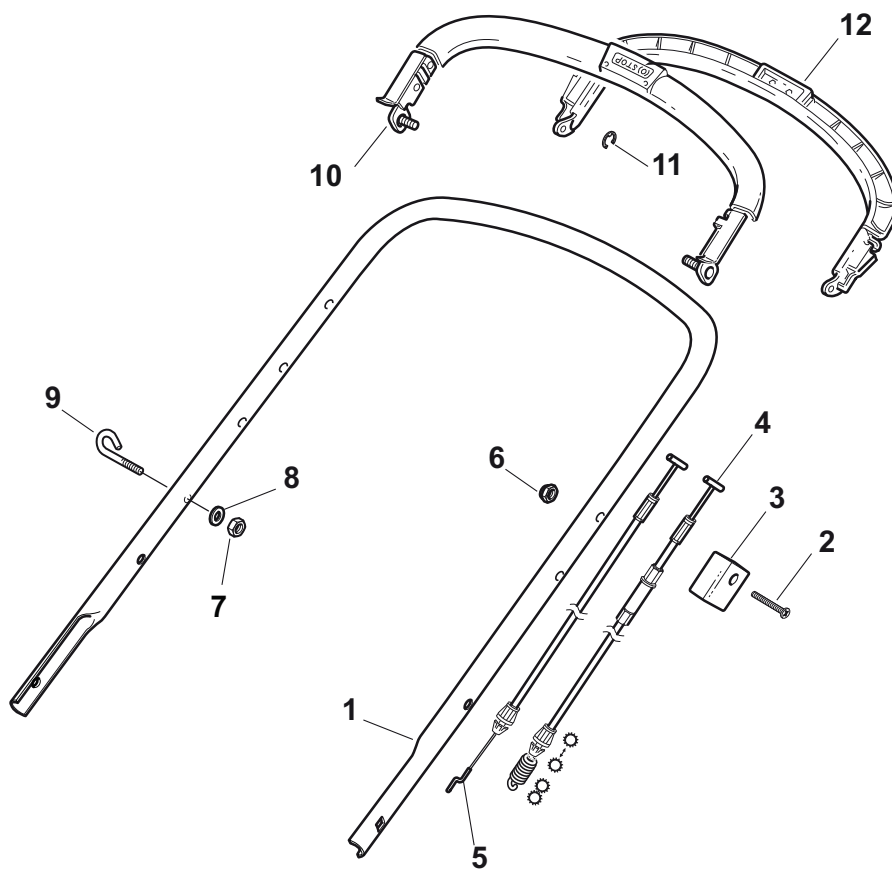
| POS | PART. NO | Q.ty | DESCRIPTION | DESCRIZIONE | DESCRIPTION | BESCHREIBUNG | REMARKS |
|-----|-------------|------|----------------|--------------------|---------------------|---------------|---------|
| 1 | 322108295/0 | 1 | Stone-Guard | Parasassi | Pare-Pierres | Prallblech | |
| 2 | 322600195/0 | 1 | Ejection Guard | Protezione Uscita | Protection Sortie | Auswurfschutz | |
| 3 | 112727803/0 | 2 | Screw | Vite | Vis | Schraube | |
| 4 | 322806639/0 | 1 | Fulcrum Pin | Perno Fulcro | Pivot | Gelenkpunkt | |
| 5 | 112154510/0 | 2 | Nut | Dado | Ecrou | Mutter | |
| 6 | 118203853/0 | 2 | Protection | Cappuccio | Capuchon | Stecker | |
| 7 | 122450456/0 | 1 | Spring | Molla | Ressort | Feder | |
| 8 | 122517869/0 | 1 | Pin | Perno | Pivot | Bolzen | |
| 9 | 112604896/0 | 2 | Crown Fastener | Fissatore A Corona | Fixateur A Couronne | Kronescheibe | |



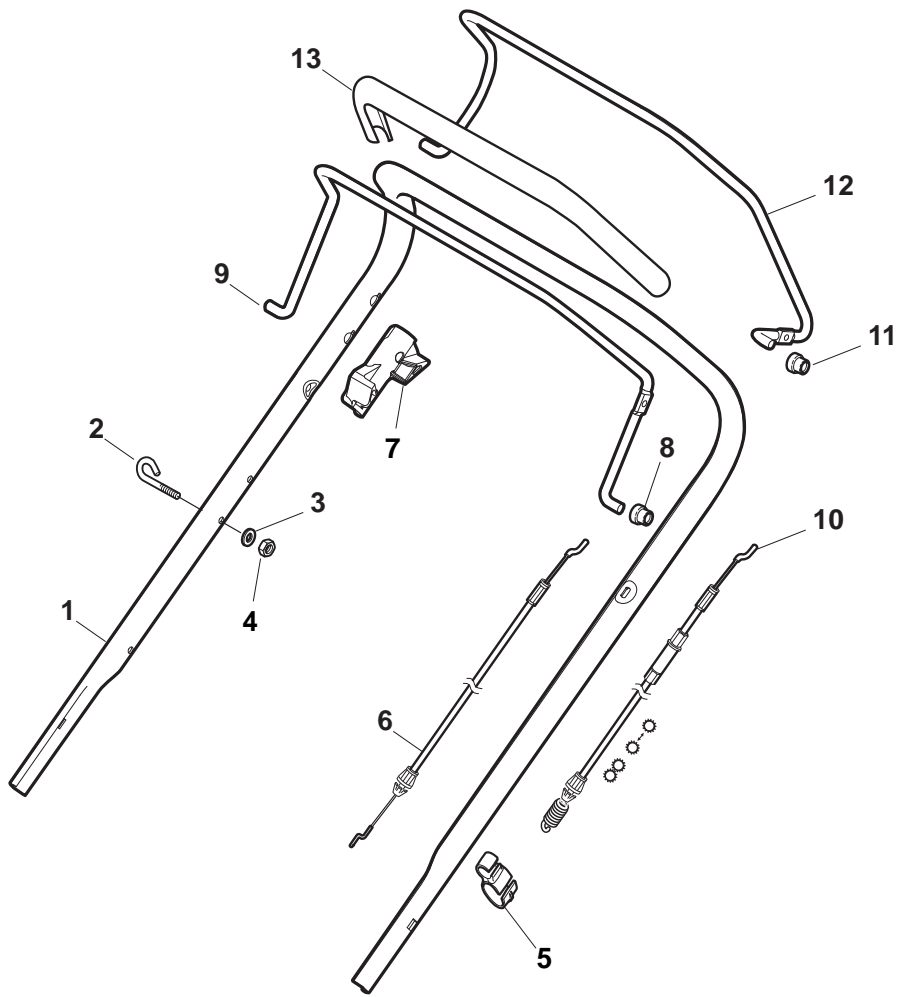
| POS | PART. NO | Q.ty | DESCRIPTION | DESCRIZIONE | DESCRIPTION | BESCHREIBUNG | REMARKS |
|-----|-------------|------|----------------|--------------------|-----------------|-----------------|---------|
| 1 | 322500102/0 | 1 | Front Combi | Pettine Anteriore | Vorne Comb | Peigne Avant | |
| 2 | 112523000/1 | 2 | Washer | Rosetta | Rondelle | Scheibe | |
| 3 | 112728124/0 | 2 | Screw | Vite | Vis | Schraube | |
| 5 | 322226143/0 | 1 | Mask, Red | Mascherina, Rosso | Mesque, Rouge | Maske, Rot | |
| 5 | 322226144/0 | 1 | Mask, Yellow | Mascherina, Giallo | Mesque, Jaune | Maske, Gelb | |
| 5 | 322226151/0 | 1 | Mask, Black | Mascherina, Nero | Mesque, Noir | Maske, Schwarz | |
| 5 | 322226153/0 | 1 | Mask, Black | Mascherina, Nero | Mesque, Noir | Maske, Schwarz | |
| 5 | 322226155/0 | 1 | Mask, Yellow | Mascherina, Giallo | Mesque, Jaune | Maske, Gelb | |
| 6 | 112727799/0 | 2 | Screw | Vite | Vis | Schraube | |
| 7 | 322393638/0 | 1 | Handle, Black | Maniglia, Nero | Poignee, Noir | Griff, Schwarz | |
| 7 | 322393639/0 | 1 | Handle, Grey | Maniglia Grigio | Poignee, Gris | Griff, Grau | |
| 7 | 322393640/0 | 1 | Handle, Yellow | Maniglia, Gialla | Poignee, Jaune | Griff, Gelb | |
| 8 | 112154510/0 | 2 | Nut | Dado | Ecrou | Mutter | |
| 9 | 112728697/0 | 2 | Screw | Vite | Vis | Schraube | |
| 10 | 322820082/0 | 1 | Cap | Puntale | Bouchon | Gummistopfen | |
| 11 | 322820083/0 | 1 | Cap | Puntale | Bouchon | Gummistopfen | |
| 12 | 322226167/0 | 1 | Frontal Plate | Piastra Frontale | Avant Plaquette | Front Plättchen | |
| 13 | 322226165/0 | 1 | Mask, Black | Mascherina, Nero | Mesque, Noir | Maske, Schwarz | |
| 14 | 112728300/0 | 2 | Screw | Vite | Vis | Schraube | |
| 15 | 322226157/0 | 1 | Mask, Black | Mascherina, Nero | Mesque, Noir | Maske, Schwarz | |
| 16 | 322393642/0 | 1 | Bumper | Bumper | Bumper | Bumper | |
| 17 | 112727799/0 | 2 | Screw | Vite | Vis | Schraube | |
| 18 | 112154510/0 | 2 | Nut | Dado | Ecrou | Mutter | |



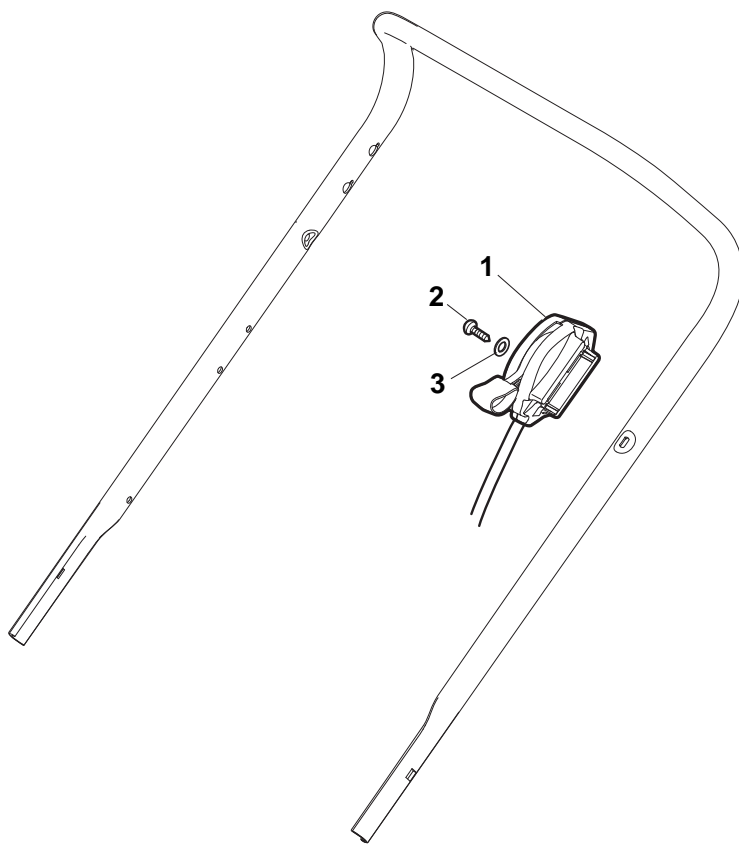
| POS | PART. NO | Q.ty | DESCRIPTION | DESCRIZIONE | DESCRIPTION | BESCHREIBUNG | REMARKS |
|-----|-------------|------|--------------------|--------------------|----------------------------|--------------------|---------|
| 1 | 381006719/0 | 1 | Handle, Lower Part | Parte Inf Maniglia | Poignée, Partie Inferieure | Griff, Unterteil | Black |
| 1 | 381006720/0 | 1 | Handle, Lower Part | Parte Inf Maniglia | Poignée, Partie Inferieure | Griff, Unterteil | Grey |
| 2 | 381005149/0 | 1 | Bracket, R | Staffa Dx | Etrier Droit | Steigbügel, Rechte | |
| 3 | 381005151/0 | 1 | Bracket, L | Staffa Sx | Etrier Gauche | Steigbügel, Linke | |
| 4 | 381003253/0 | 2 | Handle | Maniglia | Poignée | Griff | |
| 5 | 322680016/0 | 4 | Support | Supporto | Support | Halter | |
| 6 | 122131750/0 | 4 | Nut | Dado | Ecrou | Mutter | |
| 7 | 322399835/0 | 4 | Knob | Manopolina | Poignée | Griff | |
| 10 | 112760605/0 | 2 | Screw | Vite | Vis | Schraube | |
| 11 | 125038002/1 | 2 | Bush | Bussola | Douille | Büchse | |
| 12 | 112155000/0 | 2 | Nut | Dado | Ecrou | Mutter | |
| 13 | 322192156/0 | 1 | Fair Led | Fascetta | Collier | Bowdenzughalter | |
| 14 | 381103350/0 | 2 | Handle | Maniglia | Poignée | Griff | |



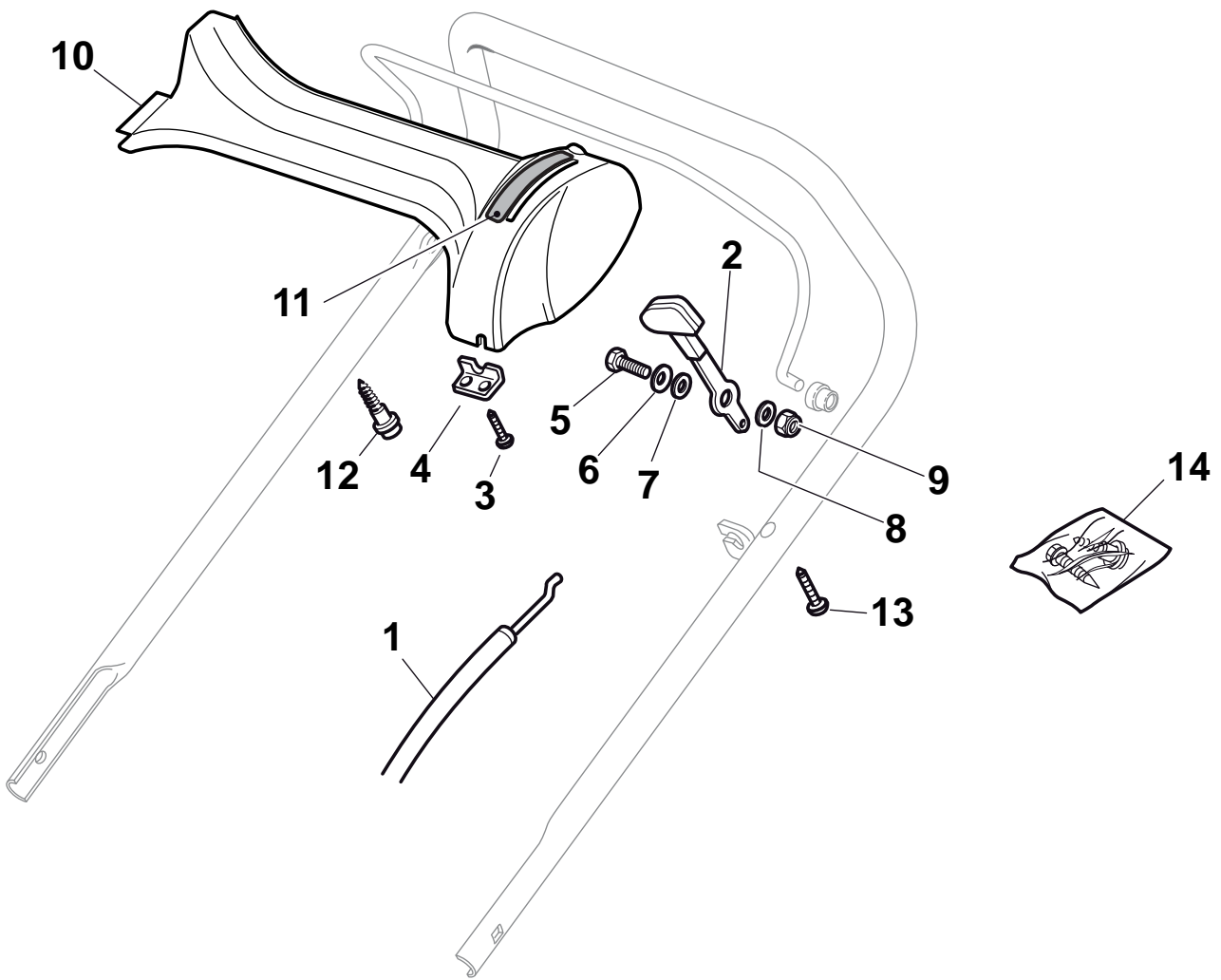
| POS | PART. NO | Q.ty | DESCRIPTION | DESCRIZIONE | DESCRIPTION | BESCHREIBUNG | REMARKS |
|-----|-------------|------|----------------------------|-----------------------|------------------------------|--------------------|----------------------|
| 1 | 381006803/0 | 1 | Handle, Upper Part | Manico, Parte Sup | Mancheron, Partie Superieure | Holm, Oberteil | Black |
| 1 | 381006805/0 | 1 | Handle, Upper Part | Manico, Parte Sup | Mancheron, Partie Superieure | Holm, Oberteil | Grey |
| 2 | 112727787/0 | 1 | Screw | Vite | Vis | Schraube | |
| 3 | 322551640/0 | 1 | Plate | Piastrina | Plaquette | Plättchen | |
| 4 | 381030094/0 | 1 | Cable, Rear Drive | Cavo Comando Trazione | Câble, Comm. Traction | Kabel, Antrieb | |
| 5 | 181030056/0 | 1 | Cable, Thread Engine Brake | Cavo Freno Motore | Cable Frein Moteur | Kabel, Motorbremse | HONDA-GGP-B&S Engine |
| 5 | 181030057/0 | 1 | Cable, Thread Engine Brake | Cavo Freno Motore | Cable Frein Moteur | Kabel, Motorbremse | GGP 150cc |
| 6 | 112154510/0 | 1 | Nut | Dado | Ecrou | Mutter | |
| 7 | 112154510/0 | 1 | Nut | Dado | Ecrou | Mutter | |
| 8 | 112521330/0 | 1 | Washer | Rosetta | Rondelle | Scheibe | |
| 9 | 122430313/0 | 1 | Guide Spring | Molla Guida | Ressort De Guide | Feder Führer | |
| 10 | 381003330/0 | 1 | Lever, Engine Brake | Leva Freno Motore | Levier Frein Moteur | Hebel, Motorbremse | |
| 11 | 112000930/0 | 1 | Snap Ring | Anello Elastico | Anneau Ressort | Sprengring | |
| 12 | 381003297/1 | 1 | Driving Lever | Leva Trazione | Levier Traction | Antriebhebel | |



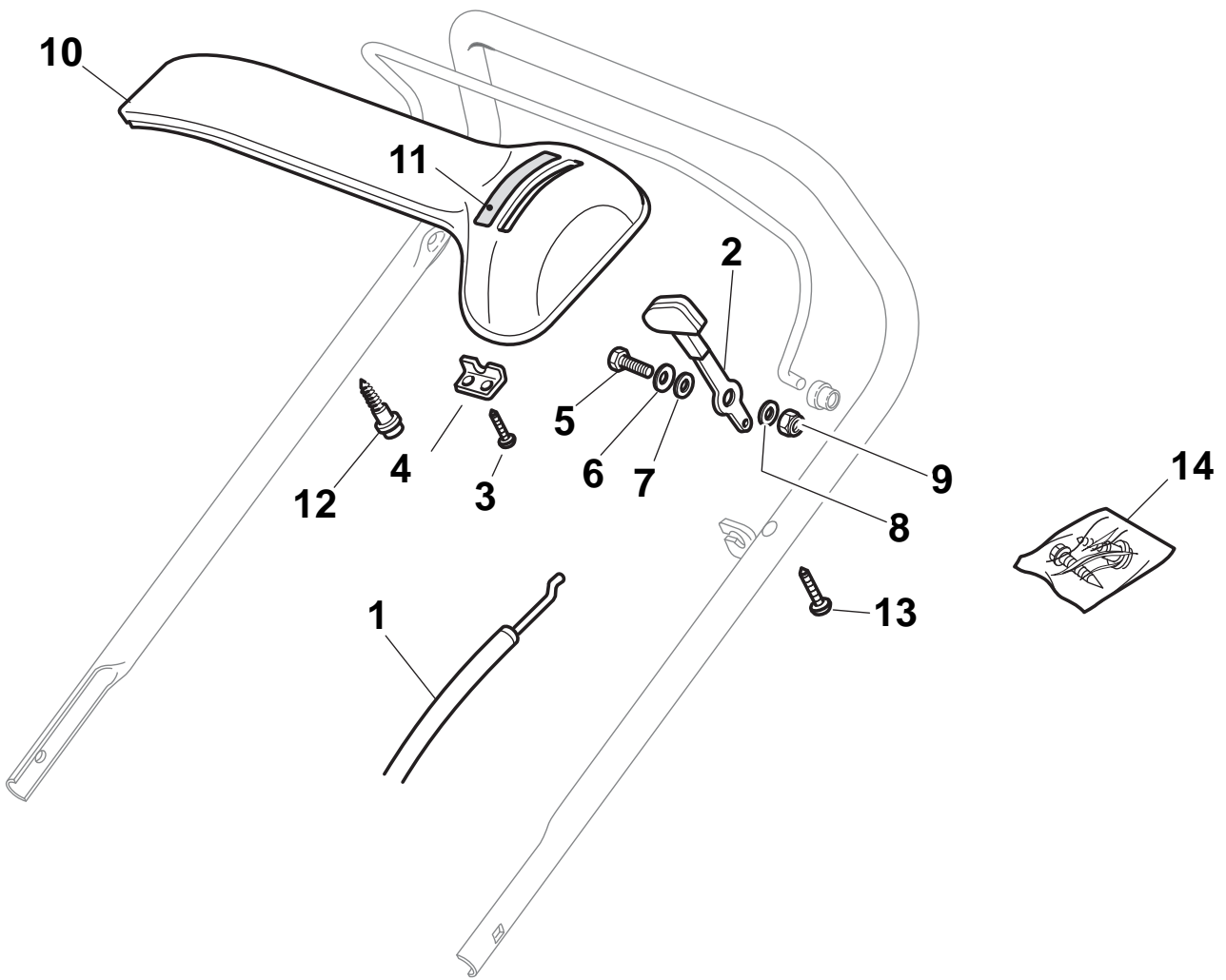
| POS | PART. NO | Q.ty | DESCRIPTION | DESCRIZIONE | DESCRIPTION | BESCHREIBUNG | REMARKS |
|-----|-------------|------|----------------------------|-------------------------|------------------------------|--------------------|---------------------------------|
| 1 | 381006838/0 | 1 | Handle, Upper Part | Manico, Parte Sup | Mancheron, Partie Superieure | Holm, Oberteil | for NT Throttle/DELTA Dashboard |
| 1 | 381007522/0 | 1 | Handle, Upper Part | Manico, Parte Sup | Mancheron, Partie Superieure | Holm, Oberteil | for TD-CA Dashboard (Black) |
| 1 | 381007525/0 | 1 | Handle, Upper Part | Manico, Parte Sup | Mancheron, Partie Superieure | Holm, Oberteil | for TD-CA Dashboard (Grey) |
| 2 | 122430313/0 | 1 | Guide Spring | Molla Guida | Ressort De Guide | Feder Führer | |
| 3 | 112521330/0 | 1 | Washer | Rosetta | Rondelle | Scheibe | |
| 4 | 112154510/0 | 1 | Nut | Dado | Ecrou | Mutter | |
| 5 | 118390020/0 | 1 | Fairlead | Fermacavo | Fixation Cable | Kabelbefestigung | |
| 6 | 181030053/0 | 1 | Cable, Thread Engine Brake | Cavo Freno Motore | Cable Frein Moteur | Kabel, Motorbremse | GGP-B&S Engine |
| 6 | 181030054/0 | 1 | Cable, Thread Engine Brake | Cavo Freno Motore | Cable Frein Moteur | Kabel, Motorbremse | GGP 150cc |
| 6 | 181030056/0 | 1 | Cable, Thread Engine Brake | Cavo Freno Motore | Cable Frein Moteur | Kabel, Motorbremse | B&S E Series |
| 6 | 181030070/0 | 1 | Cable, Thread Engine Brake | Cavo Freno Motore | Cable Frein Moteur | Kabel, Motorbremse | Honda Engine |
| 7 | 322545204/0 | 1 | Fulcrum Pin | Perno Fulcro | Pivot | Gelenkpunkt | |
| 8 | 122041966/0 | 1 | Bush | Bussola | Douille | Büchse | |
| 9 | 181003300/1 | 1 | Lever, Engine Brake | Leva Freno Motore | Levier Frein Moteur | Hebel, Motorbremse | |
| 10 | 381030092/0 | 1 | Cable, Rear Drive | Cavo Comando Trazione | Câble, Comm. Traction | Kabel, Antrieb | |
| 11 | 122041966/0 | 1 | Bush | Bussola | Douille | Büchse | |
| 12 | 181003301/0 | 1 | Lever, Driving | Leva Trazione | Levier Traction | Antriebhebel | |
| 13 | 122291050/0 | 1 | Handgrip Black | Impugnatura Manico Nera | Poignée Noir | Handgriff Schwarz | |



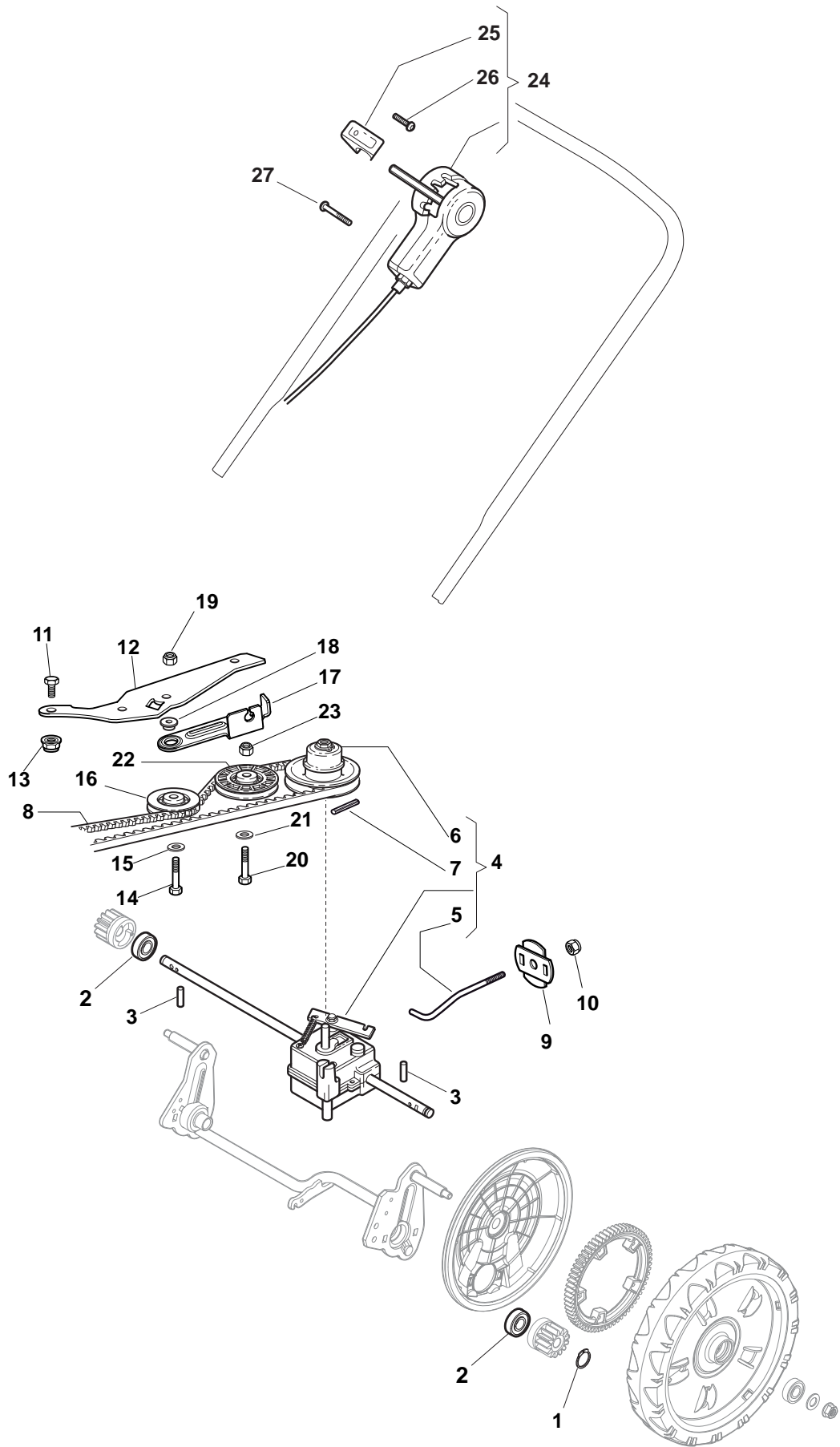
| POS | PART. NO | Q.ty | DESCRIPTION | DESCRIZIONE | DESCRIPTION | BESCHREIBUNG | REMARKS |
|-----|-------------|------|----------------|-------------------|---------------------|----------------|-----------------|
| 1 | 181005501/1 | 1 | Throttle Cable | Cavo Acceleratore | Cable, Accelérateur | Gashebel Kabel | GGP Engine |
| 1 | 181005501/1 | 1 | Throttle Cable | Cavo Acceleratore | Cable, Accelérateur | Gashebel Kabel | Honda Engine |
| 1 | 181005502/1 | 1 | Throttle Cable | Cavo Acceleratore | Cable, Accelérateur | Gashebel Kabel | B&S Engine |
| 1 | 181005503/1 | 1 | Throttle Cable | Cavo Acceleratore | Cable, Accelérateur | Gashebel Kabel | Honda AC Engine |
| 1 | 181005504/1 | 1 | Throttle Cable | Cavo Acceleratore | Cable, Accelérateur | Gashebel Kabel | GGP 150cc |
| 1 | 181005520/1 | 1 | Throttle Cable | Cavo Acceleratore | Cable, Accelérateur | Gashebel Kabel | B&S 750-700 |
| 1 | 181005525/0 | 1 | Throttle Cable | Cavo Acceleratore | Cable, Accelérateur | Gashebel Kabel | B&S E Series |
| 1 | 181005537/0 | 1 | Throttle Cable | Cavo Acceleratore | Cable, Accelérateur | Gashebel Kabel | GGP 100cc |
| 2 | 112735103/0 | 1 | Screw | Vite | Vis | Schraube | |
| 3 | 112523040/0 | 1 | Washer | Rosetta | Rondelle | Scheibe | |



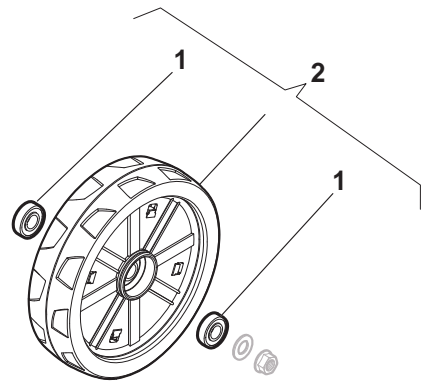
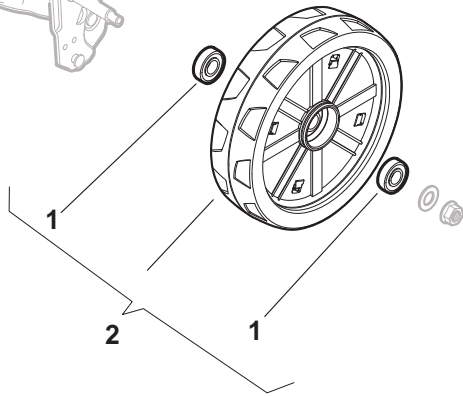
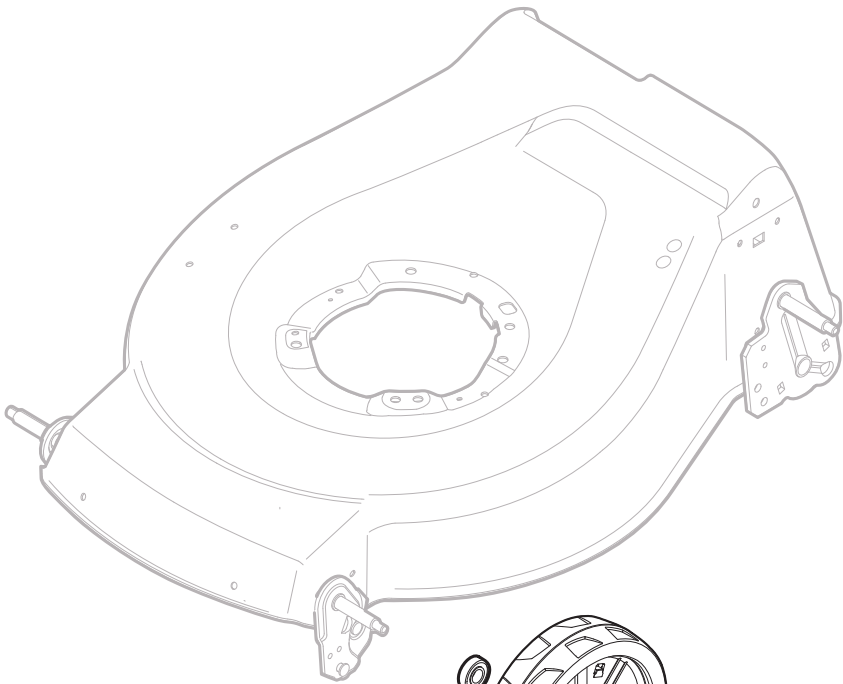
| POS | PART. NO | Q.ty | DESCRIPTION | DESCRIZIONE | DESCRIPTION | BESCHREIBUNG | REMARKS |
|-----|-------------|------|-----------------|--------------------|----------------------|---------------------|---------------------------|
| 1 | 481007160/0 | 1 | Throttle Cable | Cavo Acceleratore | Cable, Accelérateur | Gashebel Kabel | |
| 2 | 381007221/0 | 1 | Lever, Throttle | Leva, Acceleratore | Levier, Accelérateur | Hebel, Beshleuniger | B&S 450-500 / GGP150cc |
| 2 | 381007280/2 | 1 | Lever, Throttle | Leva, Acceleratore | Levier, Accelérateur | Hebel, Beshleuniger | Honda-B&S-GGP Engine |
| 3 | 112735105/0 | 2 | Screw | Vite | Vis | Schraube | |
| 4 | 322981467/0 | 1 | Plate | Piastrina | Plaquette | Plättchen | |
| 5 | 112791500/0 | 1 | Screw | Vite | Vis | Schraube | |
| 6 | 112530060/0 | 1 | Elastic Washer | Disco Elastico | Disque Elastique | Federscheibe | |
| 7 | 112523040/0 | 1 | Washer | Rosetta | Rondelle | Scheibe | |
| 8 | 112523040/0 | 1 | Washer | Rosetta | Rondelle | Scheibe | |
| 9 | 112154510/0 | 1 | Nut | Dado | Ecrou | Mutter | |
| 10 | 322120189/0 | 1 | Dash Board Red | Cruscotto Rosso | Console Rouge | Konsole Rote | |
| 11 | 114356743/1 | 1 | Label | Etichetta | Etiquette | Etikette | Honda-GGP Engine |
| 11 | 114356744/1 | 1 | Label | Etichetta | Etiquette | Etikette | B&S Engine |
| 11 | 114356906/1 | 1 | Label | Etichetta | Etiquette | Etikette | B&S DOV |
| 11 | 114357646/1 | 1 | Label | Etichetta | Etiquette | Etikette | Honda AC Engine |
| 12 | 122943006/0 | 1 | Screw | Vite | Vis | Schraube | |
| 13 | 112728460/0 | 1 | Screw | Vite | Vis | Schraube | |
| 14 | 381008609/0 | 1 | Outfit, Screws | Dotazione Viteria | Dotation Visserie | Satz, Schrauben | |



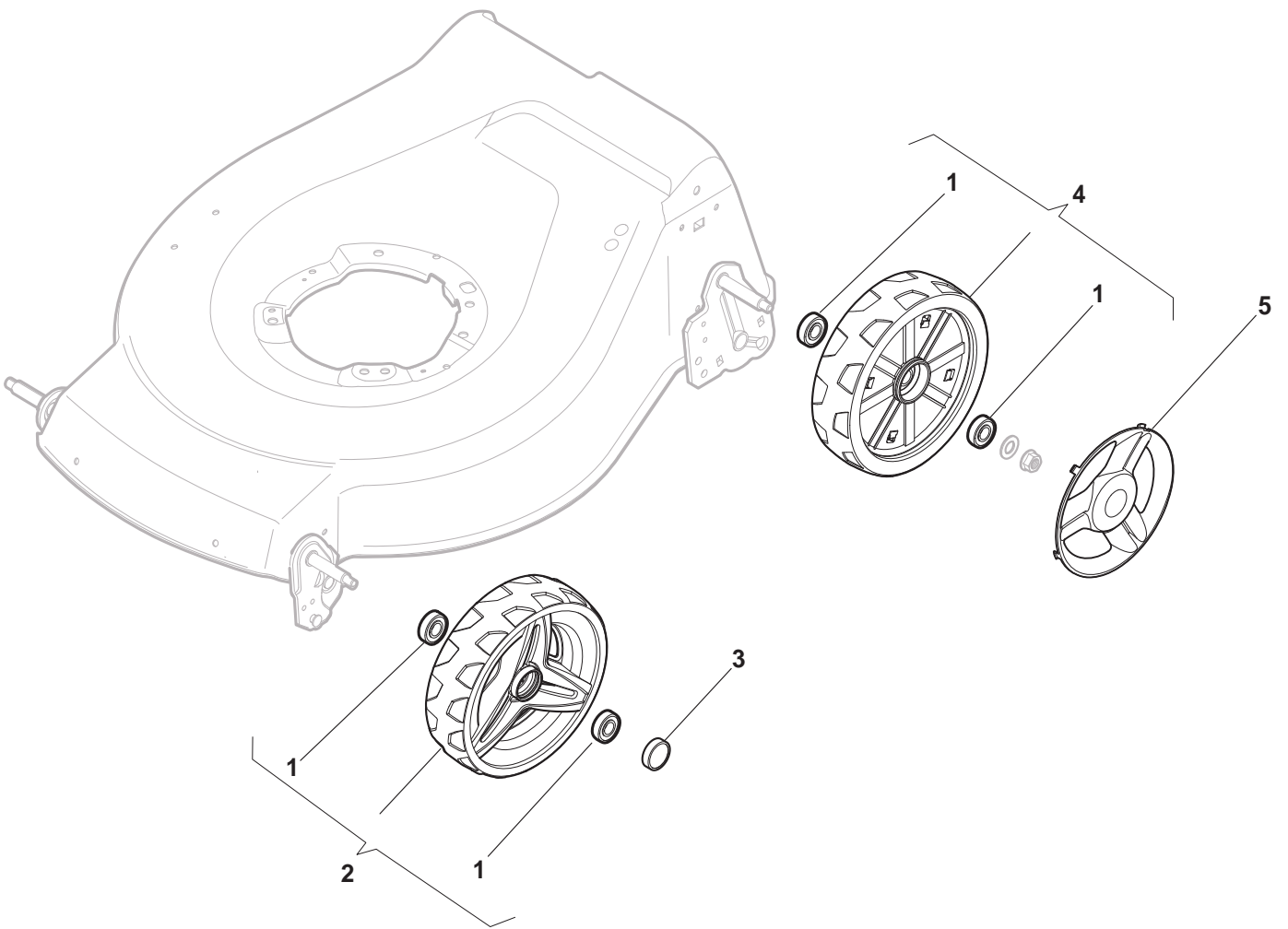
| POS | PART. NO | Q.ty | DESCRIPTION | DESCRIZIONE | DESCRIPTION | BESCHREIBUNG | REMARKS |
|-----|-------------|------|-------------------|--------------------|----------------------|---------------------|------------------------|
| 1 | 481007160/0 | 1 | Throttle Cable | Cavo Acceleratore | Cable, Accelérateur | Gashebel Kabel | |
| 2 | 381007221/0 | 1 | Lever, Throttle | Leva, Acceleratore | Levier, Accelérateur | Hebel, Beshleuniger | B&S 450-500 / GGP150cc |
| 2 | 381007280/2 | 1 | Lever, Throttle | Leva, Acceleratore | Levier, Accelérateur | Hebel, Beshleuniger | Honda-B&S-GGP Engine |
| 3 | 112735105/0 | 2 | Screw | Vite | Vis | Schraube | |
| 4 | 322981467/0 | 1 | Plate | Piastrina | Plaquette | Plättchen | |
| 5 | 112791500/0 | 1 | Screw | Vite | Vis | Schraube | |
| 6 | 112530060/0 | 1 | Elastic Washer | Disco Elastico | Disque Elastique | Federscheibe | |
| 7 | 112523040/0 | 1 | Washer | Rosetta | Rondelle | Scheibe | |
| 8 | 112523040/0 | 1 | Washer | Rosetta | Rondelle | Scheibe | |
| 9 | 112154510/0 | 1 | Nut | Dado | Ecrou | Mutter | |
| 10 | 422120152/0 | 1 | Dash Board Yellow | Cruscotto Giallo | Console Jaune | Konsole Gelbe | |
| 10 | 422120154/0 | 1 | Dash Board Red | Cruscotto Rosso | Console Rouge | Konsole Rote | |
| 10 | 422120158/0 | 1 | Dash Board Black | Cruscotto Nero | Console Noire | Konsole Schwarze | |
| 11 | 114356743/1 | 1 | Label | Etichetta | Etiquette | Etikette | Honda-GGP Engine |
| 11 | 114356744/1 | 1 | Label | Etichetta | Etiquette | Etikette | B&S Engine |
| 11 | 114356906/1 | 1 | Label | Etichetta | Etiquette | Etikette | B&S DOV |
| 11 | 114357646/1 | 1 | Label | Etichetta | Etiquette | Etikette | Honda AC Engine |
| 12 | 122943006/0 | 1 | Screw | Vite | Vis | Schraube | |
| 13 | 112728460/0 | 1 | Screw | Vite | Vis | Schraube | |
| 14 | 381008609/0 | 1 | Outfit, Screws | Dotazione Viteria | Dotation Visserie | Satz, Schrauben | |



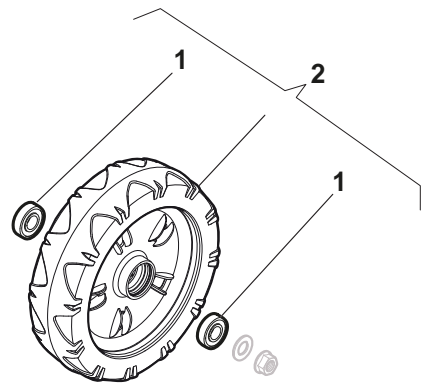
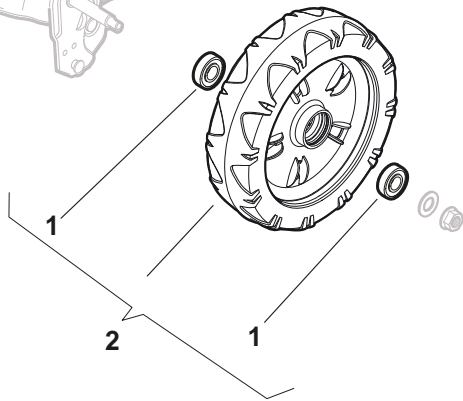
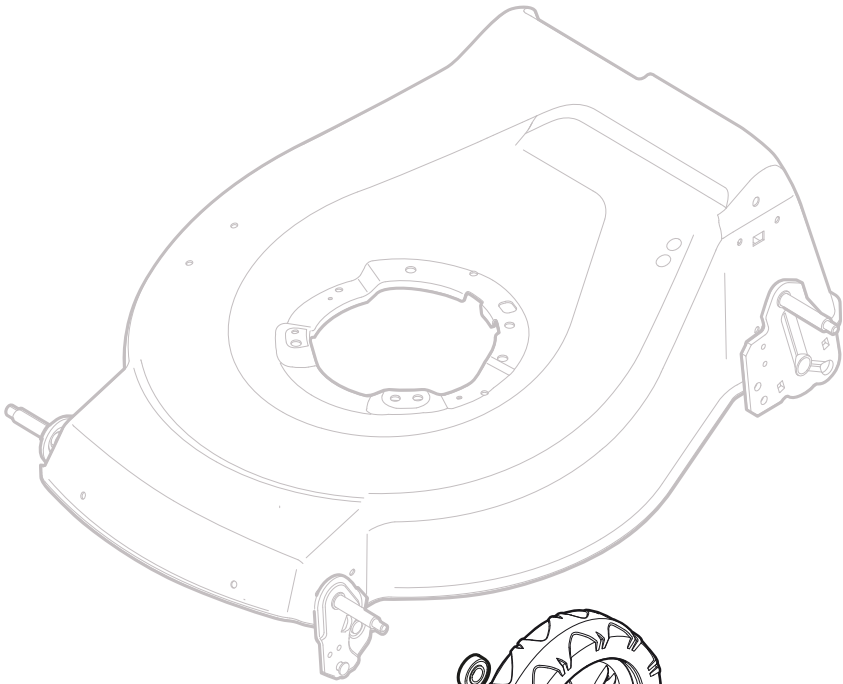
| POS | PART. NO | Q.ty | DESCRIPTION | DESCRIZIONE | DESCRIPTION | BESCHREIBUNG | REMARKS |
|-----|-------------|------|----------------------------|--------------------|---------------------------------|----------------------|---------|
| 1 | 112608600/0 | 2 | Seeger | Seeger | Seeger | Seeger | |
| 2 | 119216035/0 | 2 | Bearing | Cuscinetto | Coussinet | Lager | |
| 3 | 122753000/0 | 2 | Pin | Perno | Pivot | Bolzen | |
| 4 | 181003096/3 | 1 | Gear Box | Gruppo Trazione | Groupe Traction | Antrieb | |
| 5 | 122033285/0 | 1 | Adjustment Rod | Asta Regolazione | Tige Reglage | Verstellungstange | |
| 6 | 122601925/0 | 1 | Pulley | Puleggia | Poulie | Riemenscheibe | |
| 7 | 112645700/0 | 1 | Pin | Perno | Pivot | Bolzen | |
| 8 | 135064005/0 | 1 | Belt | Cinghia | Courroire | Riemen | |
| 9 | 322675113/0 | 1 | Washer | Rosetta | Rondelle | Scheibe | |
| 10 | 112154510/0 | 1 | Nut | Dado | Ecrou | Mutter | |
| 11 | 112791011/0 | 1 | Screw | Vite | Vis | Schraube | |
| 12 | 322806625/1 | 1 | Support | Supporto | Support | Halter | |
| 13 | 112292102/0 | 1 | Nut | Dado | Ecrou | Mutter | |
| 14 | 112689500/0 | 1 | Screw | Vite | Vis | Schraube | |
| 15 | 112523050/0 | 1 | Washer | Rosetta | Rondelle | Scheibe | |
| 16 | 122601915/0 | 1 | Pulley | Puleggia | Poulie | Riemenscheibe | |
| 17 | 322806623/0 | 1 | Support | Supporto | Support | Halter | |
| 18 | 122671656/0 | 1 | Washer | Rosetta | Rondelle | Scheibe | |
| 19 | 112154510/0 | 1 | Nut | Dado | Ecrou | Mutter | |
| 20 | 112674700/0 | 1 | Screw | Vite | Vis | Schraube | |
| 21 | 112523050/0 | 1 | Washer | Rosetta | Rondelle | Scheibe | |
| 22 | 122601914/0 | 1 | Pulley | Puleggia | Poulie | Riemenscheibe | |
| 23 | 112154510/0 | 1 | Nut | Dado | Ecrou | Mutter | |
| 24 | 381007109/0 | 1 | Cable, Speed Drive Control | Cavo Comando Marce | Cable, Comm. Changement Vitesse | Kabel, Gängeschaltun | |
| 25 | 322399809/0 | 1 | Knob | Manopolina | Poignée | Griff | |
| 26 | 112728300/0 | 1 | Screw | Vite | Vis | Schraube | |
| 27 | 112728702/0 | 2 | Screw | Vite | Vis | Schraube | |



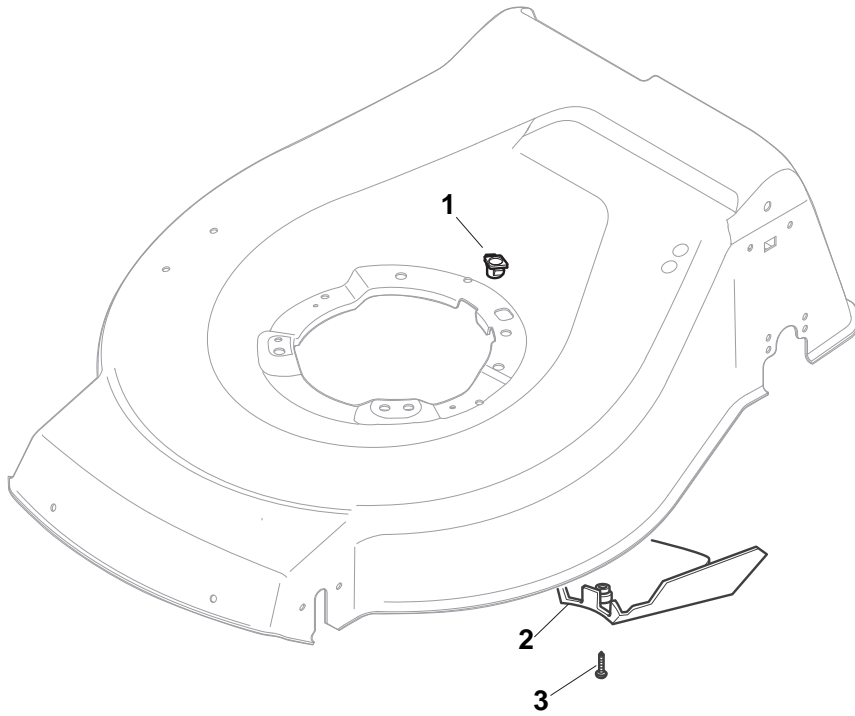
| POS | PART. NO | Q.ty | DESCRIPTION | DESCRIZIONE | DESCRIPTION | BESCHREIBUNG | REMARKS |
|-----|-------------|------|-------------|-------------|-------------|--------------|---------|
| 1 | 119216035/0 | 4 | Bearing | Cuscinetto | Coussinet | Lager | |
| 2 | 381007483/1 | 2 | Wheel Ø 200 | Ruota Ø 200 | Roue Ø 200 | Rad Ø 200 | |



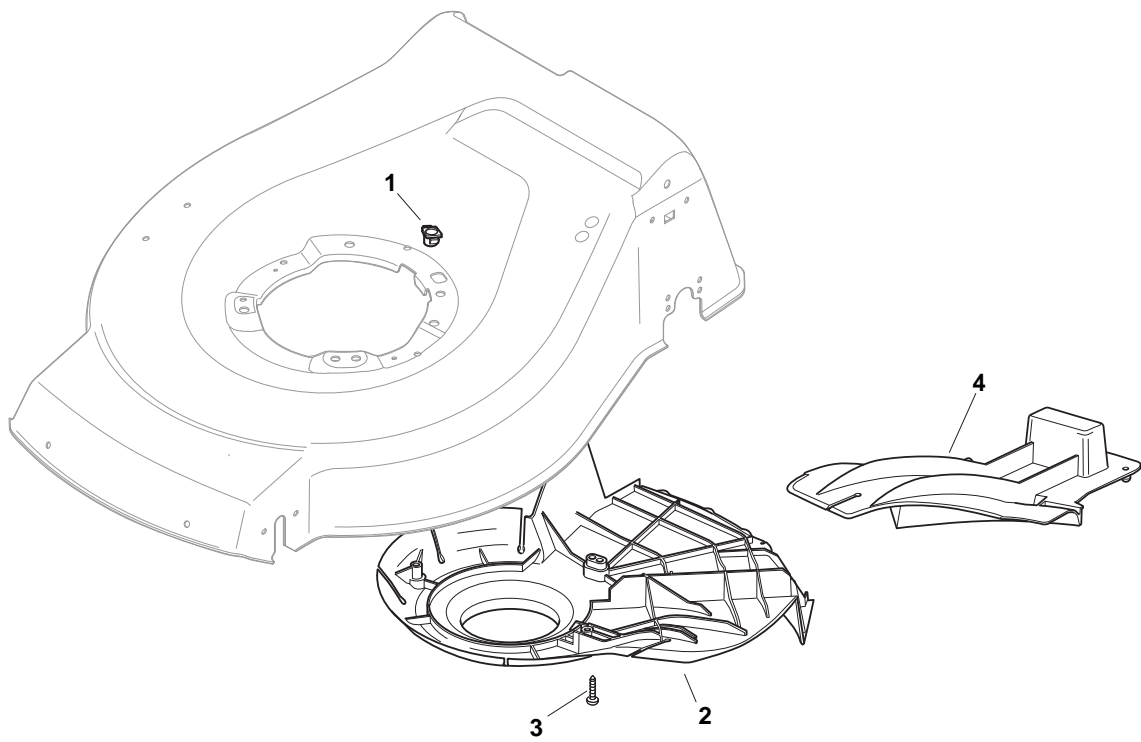
| POS | PART. NO | Q.ty | DESCRIPTION | DESCRIZIONE | DESCRIPTION | BESCHREIBUNG | REMARKS |
|-----|-------------|------|--------------|-------------------|-------------------|---------------|---------|
| 1 | 119216035/0 | 8 | Bearing | Cuscinetto | Coussinet | Lager | |
| 2 | 381007477/0 | 2 | Wheel Ø 200 | Ruota Ø 200 | Roue Ø 200 | Rad Ø 200 | |
| 3 | 322110640/0 | 2 | Hub Cap Grey | Coprимozzo Grigio | Couvre-Moyeu Gris | Radkappe Grau | |
| 4 | 381007483/1 | 2 | Wheel Ø 200 | Ruota Ø 200 | Roue Ø 200 | Rad Ø 200 | |
| 5 | 322110687/0 | 2 | Hub Cap Grey | Coprимozzo Grigio | Couvre-Moyeu Gris | Radkappe Grau | |



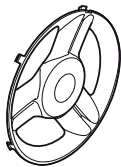
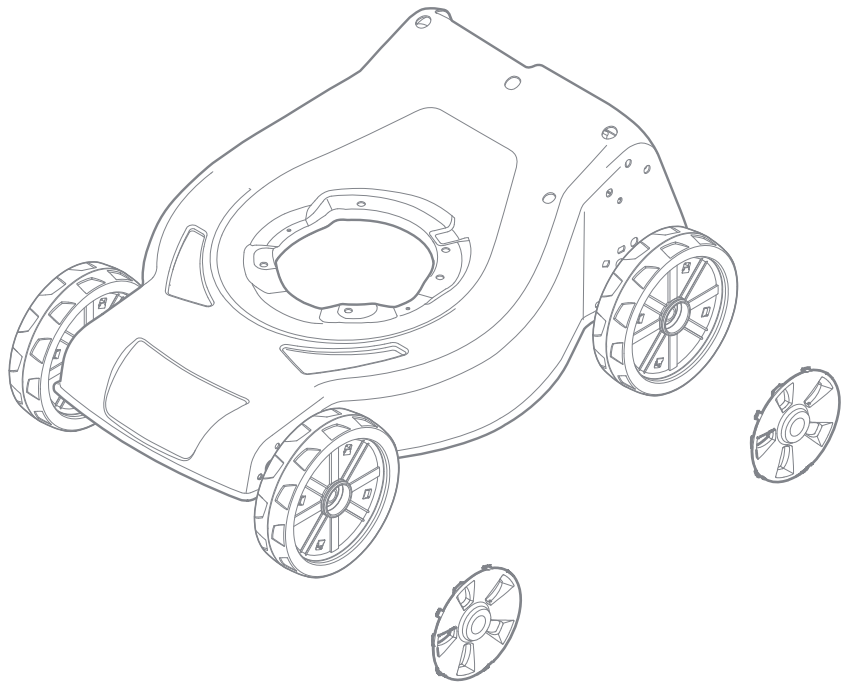
| POS | PART. NO | Q.ty | DESCRIPTION | DESCRIZIONE | DESCRIPTION | BESCHREIBUNG | REMARKS |
|-----|-------------|------|-------------|-------------|-------------|--------------|---------|
| 1 | 119216035/0 | 8 | Bearing | Cuscinetto | Coussinet | Lager | |
| 2 | 381007416/2 | 4 | Wheel Ø 200 | Ruota Ø 200 | Roue Ø 200 | Rad Ø 200 | |



| POS | PART. NO | Q.ty | DESCRIPTION | DESCRIZIONE | DESCRIPTION | BESCHREIBUNG | REMARKS |
|-----|-------------|------|------------------|------------------|----------------------|----------------|---------|
| 1 | 322291150/0 | 1 | Rubber Insert | Inserto In Gomma | Insert De | Gummi Einsatz | |
| 2 | 122060192/0 | 1 | Protection, Belt | Carter Cinghia | Protection Courroire | Schutz, Riemen | |
| 3 | 112728530/0 | 1 | Screw | Vite | Vis | Schraube | |



| POS | PART. NO | Q.ty | DESCRIPTION | DESCRIZIONE | DESCRIPTION | BESCHREIBUNG | REMARKS |
|-----|-------------|------|------------------|------------------|----------------------|----------------|---------|
| 1 | 322291150/0 | 1 | Rubber Insert | Inserto In Gomma | Insert De | Gummi Einsatz | |
| 2 | 322060198/1 | 1 | Protection, Belt | Carter Cinghia | Protection Courroire | Schutz, Riemen | |
| 3 | 112728530/0 | 3 | Screw | Vite | Vis | Schraube | |
| 4 | 322140223/0 | 1 | Deflector | Deflettore | Deflecteur | Abweiser | |



1



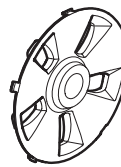
2



3



4

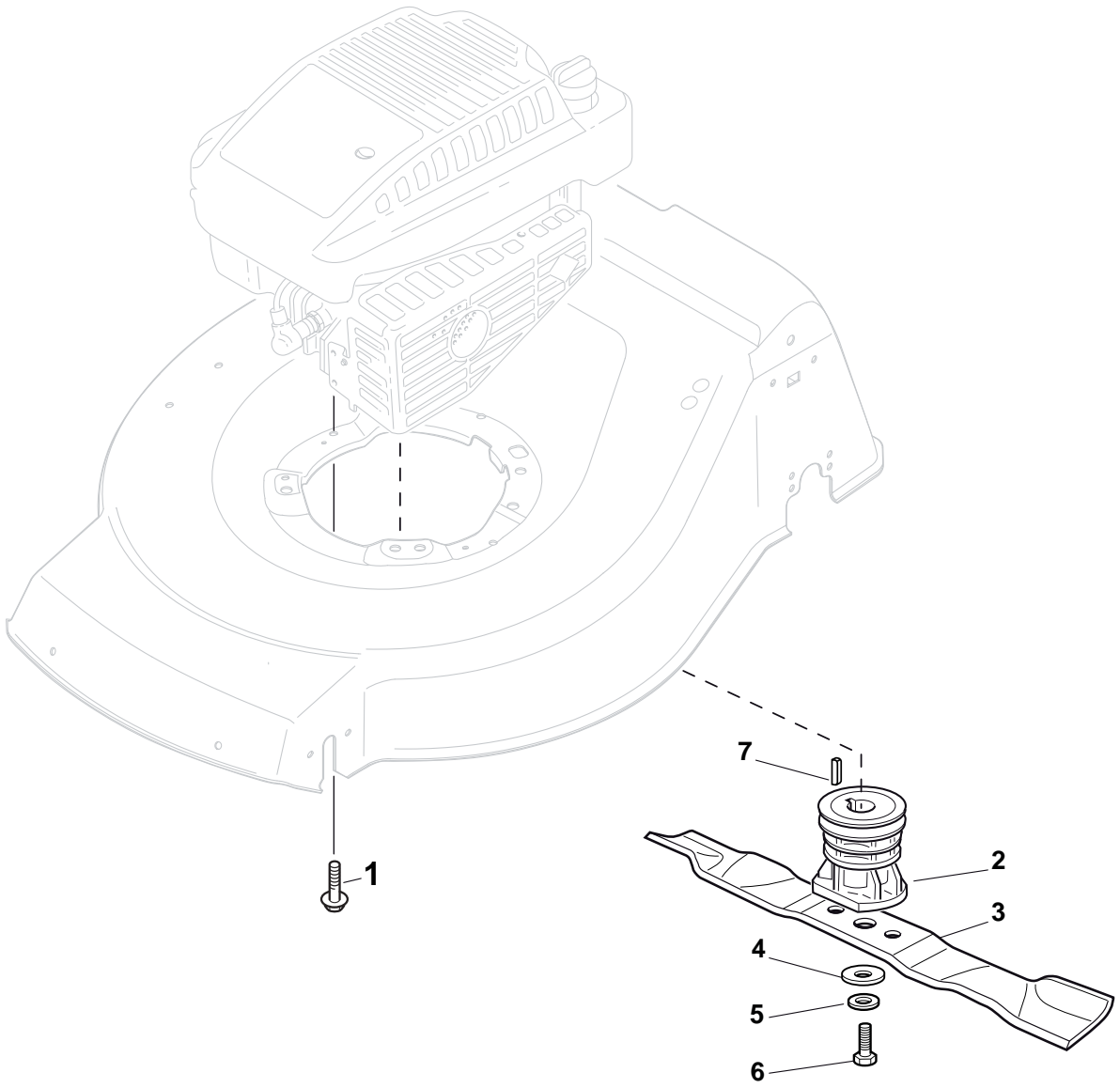


5

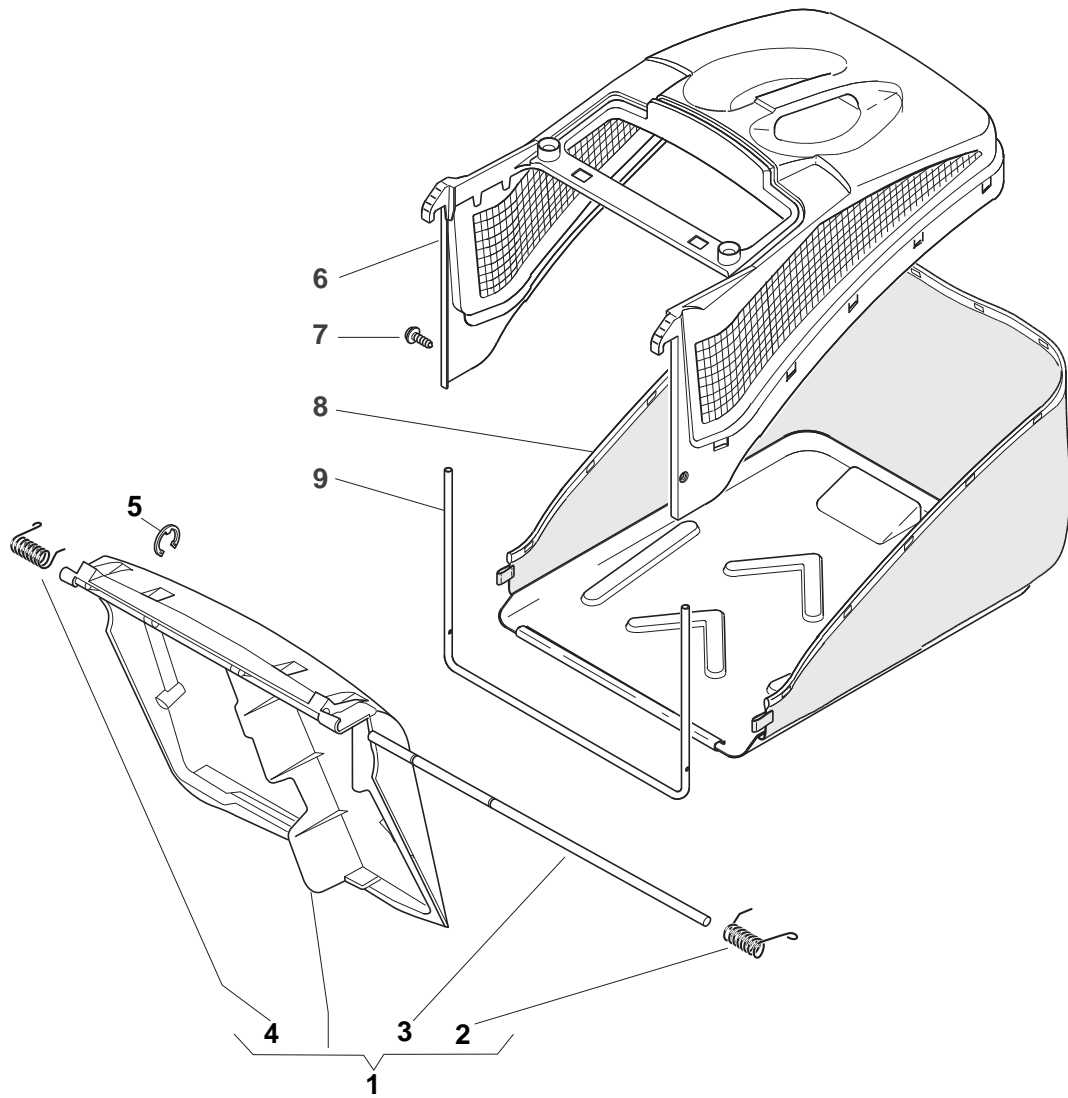


6

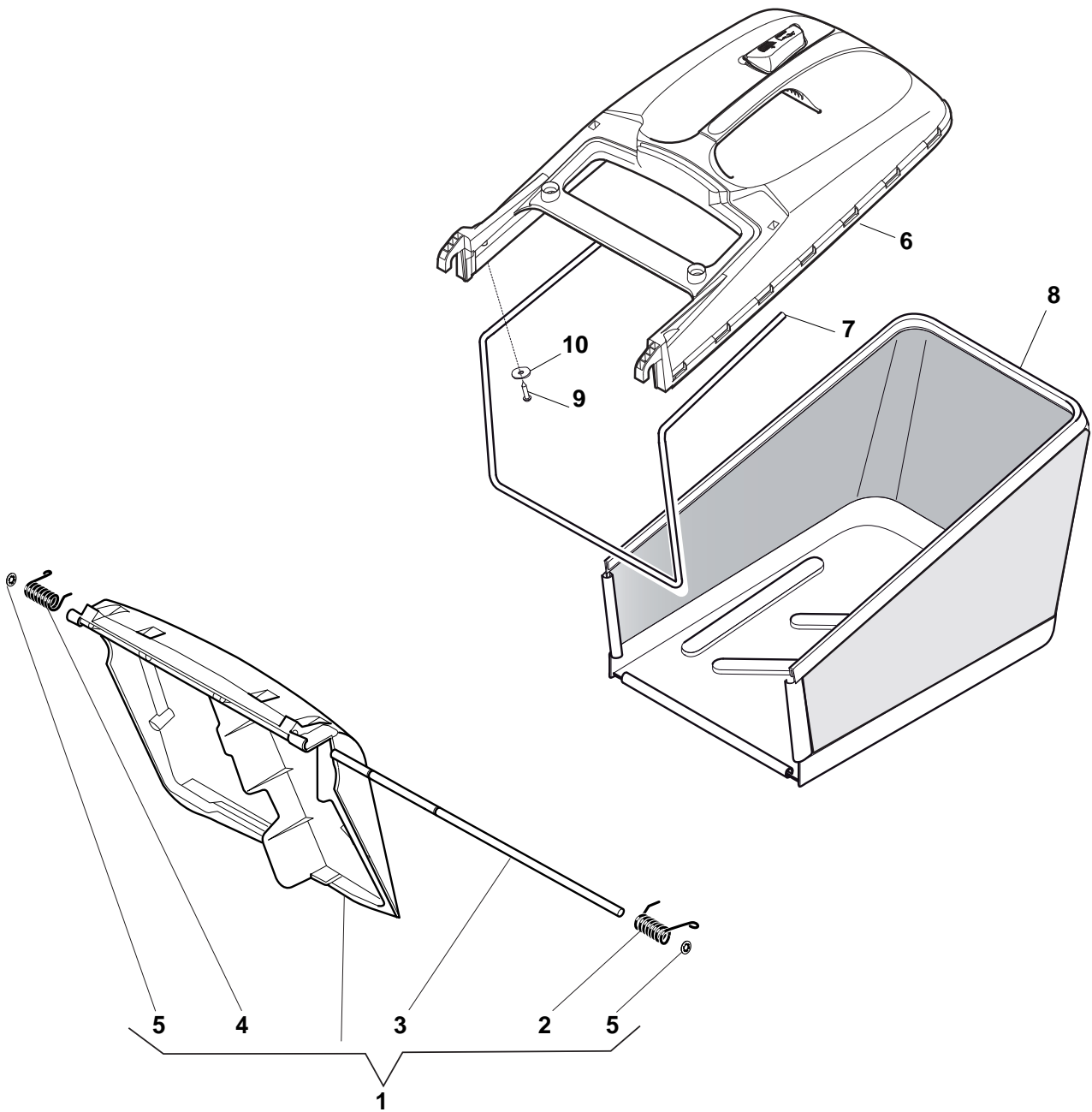
| POS | PART. NO | Q.ty | DESCRIPTION | DESCRIZIONE | DESCRIPTION | BESCHREIBUNG | REMARKS |
|-----|-------------|------|--------------|-------------------|-------------------|---------------|---------|
| 1 | 322110687/0 | 4 | Hub Cap Grey | Coprимozzo Grigio | Couvre-Moyeu Gris | Radkappe Grau | |
| 2 | 322110382/0 | 4 | Hub Cap Grey | Coprимozzo Grigio | Couvre-Moyeu Gris | Radkappe Grau | |
| 3 | 322110417/0 | 4 | Hub Cap Grey | Coprимozzo Grigio | Couvre-Moyeu Gris | Radkappe Grau | |
| 4 | 322110492/0 | 4 | Hub Cap Grey | Coprимozzo Grigio | Couvre-Moyeu Gris | Radkappe Grau | |
| 5 | 322110643/0 | 4 | Hub Cap Grey | Coprимozzo Grigio | Couvre-Moyeu Gris | Radkappe Grau | |
| 6 | 322110645/0 | 4 | Hub Cap Grey | Coprимozzo Grigio | Couvre-Moyeu Gris | Radkappe Grau | |



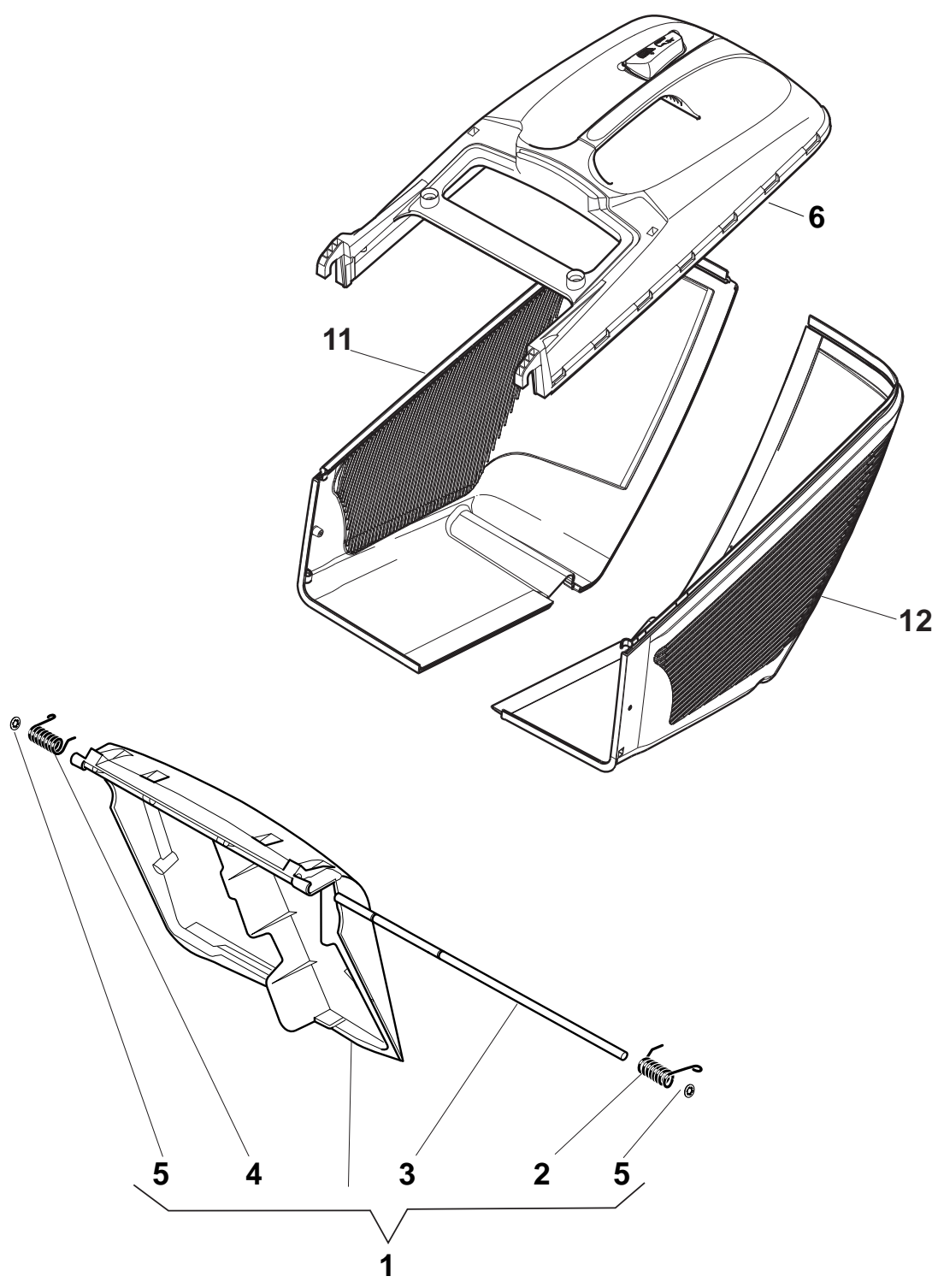
| POS | PART. NO | Q.ty | DESCRIPTION | DESCRIZIONE | DESCRIPTION | BESCHREIBUNG | REMARKS |
|-----|-------------|------|---------------------------------------|---|---|--|----------------------|
| 1 | 112735108/1 | 2 | Screw | Vite | Vis | Schraube | for GGP 196cc |
| 1 | 112735108/1 | 3 | Screw | Vite | Vis | Schraube | HONDA-GGP-B&S Engine |
| 1 | 112735109/1 | 1 | Screw | Vite | Vis | Schraube | for GGP 196cc |
| 2 | 122465607/3 | 1 | Hub With Pulley, Crankshaft Ø 22.2 | Mozzo Con Puleggia, Albero Motore Ø 22.2 | Moyeu Avec Poulie, Arbre Moteur Ø 22.2 | Nabe Mit Scheibe, Motorwelle Ø 22.2 | B&S-GGP Engine |
| 2 | 122465608/2 | 1 | Hub With Pulley, Crankshaft Ø 25 | Mozzo Con Puleggia, Albero Motore Ø 25 | Moyeu Avec Poulie, Arbre Moteur Ø 25 | Nabe Mit Scheibe, Motorwelle Ø 25 | Honda Engine |
| 3 | 181004458/0 | 1 | Blade Standard | Coltello Standard | Lame Standard | Messer Standard | |
| 4 | 122160400/0 | 1 | Elastic Washer | Disco Elastico | Disque Elastique | Federscheibe | |
| 5 | 112523080/0 | 1 | Washer | Rosetta | Rondelle | Scheibe | |
| 6 | 112735698/0 | 1 | Screw | Vite | Vis | Schraube | |
| 7 | 112139100/0 | 1 | Feather, Crankshaft Ø 22.2 | Linguetta, Albero Motore Ø 22.2 | Clavette, Arbre Moteur Ø 22.2 | Keil, Motorwelle Ø 22.2 | B&S-GGP Engine |
| 7 | 112139150/0 | 1 | Feather, Crankshaft Ø 25 | Linguetta, Albero Motore Ø 25 | Clavette, Arbre Moteur Ø 25 | Keil, Motorwelle Ø 25 | Honda Engine |



| POS | PART. NO | Q.ty | DESCRIPTION | DESCRIZIONE | DESCRIPTION | BESCHREIBUNG | REMARKS |
|-----|-------------|------|------------------|------------------|------------------------|--------------------|---------|
| 1 | 381008021/2 | 1 | Stone-Guard | Parasassi | Pare-Pierres | Prallblech | |
| 2 | 122450420/1 | 1 | L Spring | Molla Sx | Ressort G | Linke Feder | |
| 3 | 122517906/1 | 1 | Pin | Perno | Pivot | Bolzen | |
| 4 | 122450410/1 | 1 | R Spring | Molla Dx | Ressort D | Rechte Feder | |
| 5 | 112000930/0 | 1 | Snap Ring | Anello Elastico | Anneau Ressort | Sprengring | |
| 6 | 122486093/0 | 1 | Grass-Box, Upper | Sacco, Parte Sup | Sac, Partie Superieure | Korb, Oberteil | |
| 7 | 112728445/0 | 2 | Screw | Vite | Vis | Schraube | |
| 8 | 181002195/0 | 1 | Box, Fabric | Sacco, Tela | Sac, Toile | Sack, Tuck | |
| 9 | 122608523/0 | 1 | Stiffening Lower | Rinforzo Inf | Réinforcement Inf | Verstärkung Untere | |



| POS | PART. NO | Q.ty | DESCRIPTION | DESCRIZIONE | DESCRIPTION | BESCHREIBUNG | REMARKS |
|-----|-------------|------|-----------------------|--------------------|------------------------|---------------------|---------|
| 1 | 381008081/2 | 1 | Stone-Guard Black | Parasassi Nero | Pare-Pierres, Noir | Prallblech, Schwarz | Black |
| 1 | 381008082/2 | 1 | Stone-Guard Yellow | Parasassi Giallo | Pare-Pierres, Jaune | Prallblech, Gelb | Yellow |
| 2 | 122450466/0 | 1 | L Spring | Molla Sx | Ressort G | Linke Feder | |
| 3 | 122517882/0 | 1 | Pin | Perno | Pivot | Bolzen | |
| 4 | 122450465/0 | 1 | R Spring | Molla Dx | Ressort D | Rechte Feder | |
| 5 | 112604899/0 | 2 | Crown Fastener | Fissatore A Corona | Fixateur A Couronne | Kronescheibe | |
| 6 | 381486008/0 | 6 | Grass-Box, Upper Part | Sacco, Parte Sup | Sac, Partie Superieure | Korb, Oberteil | Black |
| 6 | 381486012/0 | 6 | Grass-Box, Upper Part | Sacco, Parte Sup | Sac, Partie Superieure | Korb, Oberteil | Yellow |
| 7 | 122608525/0 | 1 | Stiffening Lower | Rinforzo Inf | Réinforcement Inf | Verstärkung Untere | |
| 8 | 181002211/0 | 1 | Box, Fabric | Sacco, Tela | Sac, Toile | Sack, Tuck | |
| 9 | 112728680/0 | 2 | Screw | Vite | Vis | Schraube | |
| 10 | 112523050/0 | 2 | Washer | Rosetta | Rondelle | Scheibe | |



| POS | PART. NO | Q.ty | DESCRIPTION | DESCRIZIONE | DESCRIPTION | BESCHREIBUNG | REMARKS |
|-----|-------------|------|-----------------------|---------------------|--------------------------|---------------------|---------|
| 1 | 381008081/2 | 1 | Stone-Guard Black | Parasassi Nero | Pare-Pierres, Noir | Prallblech, Schwarz | Black |
| 1 | 381008082/2 | 1 | Stone-Guard Yellow | Parasassi Giallo | Pare-Pierres, Jaune | Prallblech, Gelb | Yellow |
| 2 | 122450466/0 | 1 | L Spring | Molla Sx | Ressort G | Linke Feder | |
| 3 | 122517882/0 | 1 | Pin | Perno | Pivot | Bolzen | |
| 4 | 122450465/0 | 1 | R Spring | Molla Dx | Ressort D | Rechte Feder | |
| 5 | 112604899/0 | 2 | Crown Fastener | Fissatore A Corona | Fixateur A Couronne | Kronescheibe | |
| 6 | 381486008/0 | 6 | Grass-Box, Upper Part | Sacco, Parte Sup | Sac, Partie Superieure | Korb, Oberteil | Black |
| 6 | 381486012/0 | 6 | Grass-Box, Upper Part | Sacco, Parte Sup | Sac, Partie Superieure | Korb, Oberteil | Yellow |
| 11 | 322486150/1 | 1 | Grass-Box, R Lower | Sacco, Parte Inf Dx | Sac, Partie Inferieure D | Korb, R Unterteil | |
| 12 | 322486151/1 | 1 | Grass-Box, L Lower | Sacco, Parte Inf Sx | Sac, Partie Inferieure G | Korb, L Unterteil | |